

Specification Sheet

Revision Date: 30/01/14

Manufacturers please note, we recommend that a sample is obtained to confirm suitability.
 Specifications subject to change without notice. E60E. © Altronic Distributors Pty. Ltd. ABN 84 177 396 871

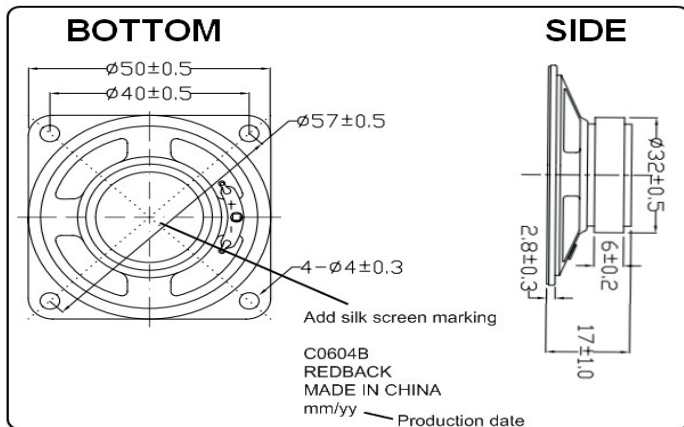
Altronics Part Number	Description	Supplier Ordering Info
C 0604B	50mm 1W Mylar Cone Speaker	

1. SPECIFICATIONS

PARAMETERS	VALUES	UNITS
*SOUND PRESSURE LEVEL	86 ± 3	dBA
RESONANCE FREQUENCY (Fo)	500 ± 20%	Hz
FREQUENCY RANGE	Fo - 6,000	Hz
RATED IMPEDANCE	8 ± 15%	Ohm
RATED POWER	0.50	W
MAX POWER	1.00	W
MAGNET	Ø32 X Ø18 X 6 Ferrite	-
OPERATING TEMPERATURE	-20 to +60	°C
STORAGE TEMPERATURE	-30 to +60	°C
HOUSING	METAL	-
DIAPHRAGM MATERIAL	MYLAR	-
WEIGHT	41	g

*Tested at 1m 1W, 800, 1k, 1.2k, 1.5kHz Average

2. DIMENSIONS (unit in mm)



Tolerance: ±0.5mm except specified

3. FREQUENCY RESPONSE CURVE

